

150.202 Installing or Replacing a Driveway – no size change

A) Permitting

- a. Submit a Driveway Permit Application to Village Clerk (with fees and deposit).
- b. Submit neat drawings of proposed work.
- c. Drive dimensions, location and offset from property lines and existing/proposed structures shall be indicated within the application materials.
- d. The Village Engineer reviews the zoning application.
- e. No need for a separate Right of Way Permit for simultaneous walk and apron work.

B) Village Fees

- a. Driveway Permit Application fee required.
- b. Deposits are required to cover direct costs to the Village and provide money for the Village to correct sub-standard or incomplete work (within the R/W). Refer to the *Village Permits and Approvals Fee Schedule* for application and deposit fees.
- c. Deposits may be increased by the Village for complicated or larger projects.
- d. Unused deposits as determined by the Village will be returned upon the Village's approval of the work.

C) Village Standards

- a. Refer to district zoning regulations for district specific (i.e. R-1, R-2, CB etc.) regulations and requirements.
- b. General requirements regarding parking may be found in Section 152.024 of the Village Code.
- c. The contractor performing excavations within the Village is required to contact OUPS, OGPUP, 811 or individual utilities as required to locate and protect underground facilities. Record drawings are not exact and care should be used when excavating near utilities shown on plans or marked in the field. The Village should be contacted directly for the location of storm sewers.
- d. See the Village standard drawings for driveway and apron construction requirements.
- e. Driveways shall slope away from structures.
- f. Driveways shall not unreasonably direct water to a neighboring property.
- g. Driveways shall freely drain to prevent ponding and ice formation.
- h. The Village may require a curbed section or supplemental drainage to prevent ponding and direct water to a suitable location.
- i. Residential drives shall be a minimum of 4" of 4,000 psi concrete on 4" of compacted crushed stone or 3" of asphalt on 6" of compacted crushed stone. It is recommended that concrete include 4"x4"x10 gauge wire mesh. See Village Drive Apron detail. Concrete may not be appropriate on clay soils.
- j. Commercial drives shall be a minimum of 6" of 4,000 psi concrete on 6" of compacted crushed stone or 4" of asphalt on 6" of compacted crushed stone.

It is recommended that concrete include 4"x4"x10 gauge wire mesh. See Village Drive Apron detail.

- k. Industrial drives or delivery drives shall be thickened accordingly to prevent premature failure.
- l. Concrete aprons must be located a minimum of 1' from the edge of pavement. The area between the concrete apron and the asphalt road shall be filled with 6" of compacted asphalt on 4" of compacted stone.
- m. Disturbed areas shall be repaired as needed to ensure full germination within 60 calendar days.

D) Inspections

- a. Provide the Village 48 hour (2 business days) notice of work to allow scheduling of inspection.
- b. Inspection by Zoning Inspector or Village Engineer.
- c. Pre-installation inspection of base and forms at a minimum.
- d. Inspection during placement possible.
- e. Adding water to concrete mix to make it easier to work is prohibited.
- f. Apply a cure as soon as practical to concrete drives to prevent surface drying.

VILLAGE OF MOGADORE DRIVEWAY PERMIT

135 S. Cleveland Ave., Mogadore, OH 44260
Phone: 330-628-4896 Fax 330-628-5850



DATE: _____

APPLICANT NAME: _____

APPLICANT ADDRESS: _____

APPLICANT PHONE NUMBER: _____

CONTRACTOR PERFORMING WORK: _____

CONTRACTOR PHONE NUMBER: _____

ANTICIPATED START DATE: _____ ANTICIPATED COMPLETION DATE: _____

VILLAGE COMMENTS: _____

APPROVED: _____ PERMIT #: _____ DATE: _____

FEE: _____ DEPOSIT: _____ PAID: _____

INSPECTED: _____ DATE: _____

NOTE: VILLAGE INSPECTION FEES MAY BE REQUIRED. INSPECTION IS BASED ON THE TYPE AND DURATION OF THE WORK BEING PERFORMED. PLEASE ASK TO SEE IF INSPECTION WILL BE REQUIRED.

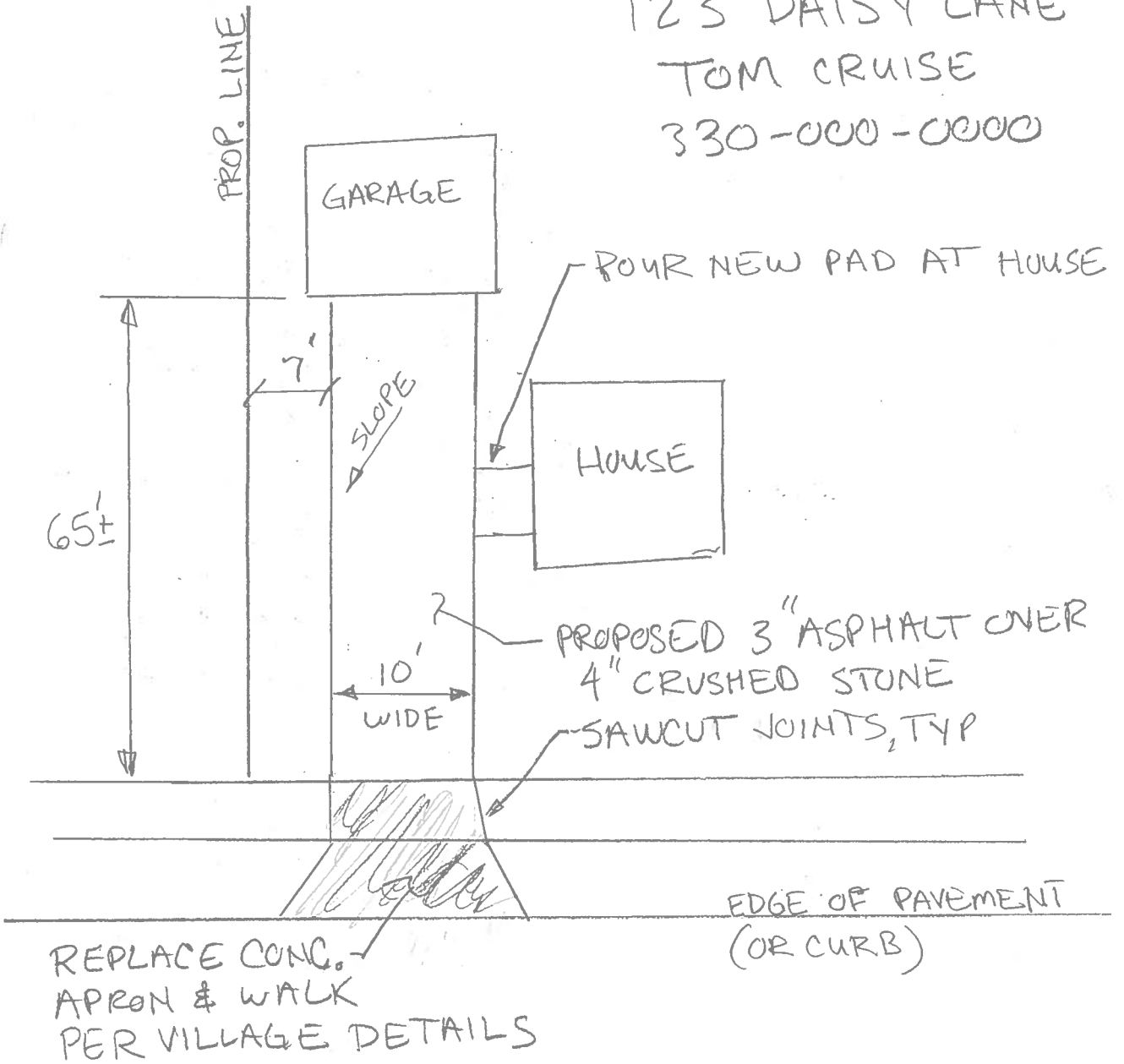
Application is made for permission to construct a driveway within a Village Right of Way as indicated and in accordance with the following conditions:

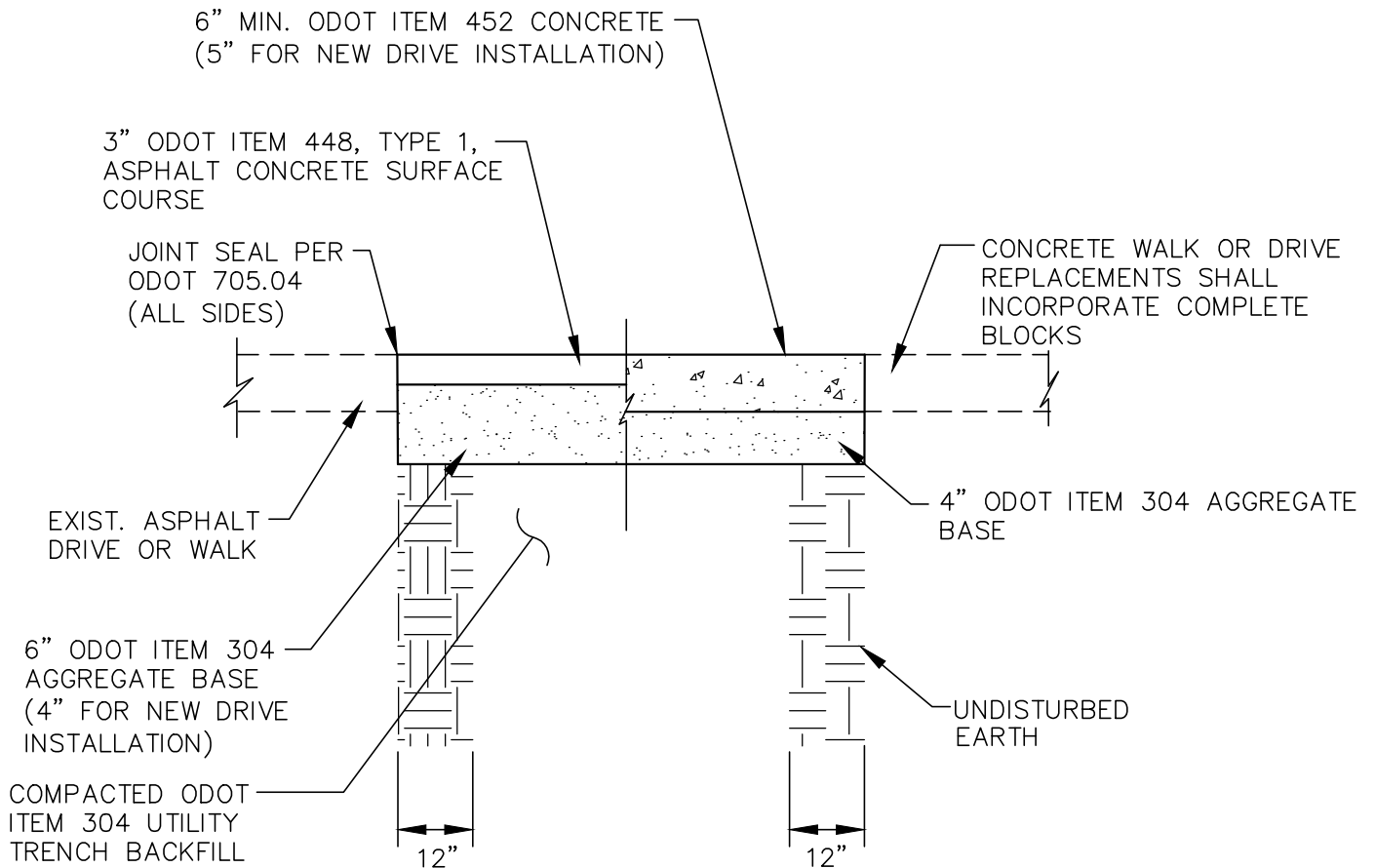
1. The applicant agrees to keep this permit on the work site and notify the Village a minimum of 48 hours in advance of any work. The applicant also understands that it is solely responsible to notify OHIO811 a minimum of 48 hours in advance of any excavation.
2. The applicant acknowledges that it is solely responsible to return the affected area to its original condition as soon as reasonably possible. That all work shall be done in accordance with Village rules and regulations; shall be first class in every manner and subject to village inspection and to the approval of authorized officer of the Village of Mogadore. All materials and work to conform to Mogadore's standard road details.
3. That the applicant waive any and all damage he may sustain by reason of the work allowed under this permit.
4. Failure to observe these rules will result in forfeiture of permit and remedy of conditions by Village's forces at owner's expense.
5. A deposit is required per the Village Schedule of Fees. Additional deposits may be required by the Engineer based on the type of work.

APPLICANT SIGNATURE: _____

SAMPLE DRIVE PLAN

123 DAISY LANE
TOM CRUISE
330-000-0000





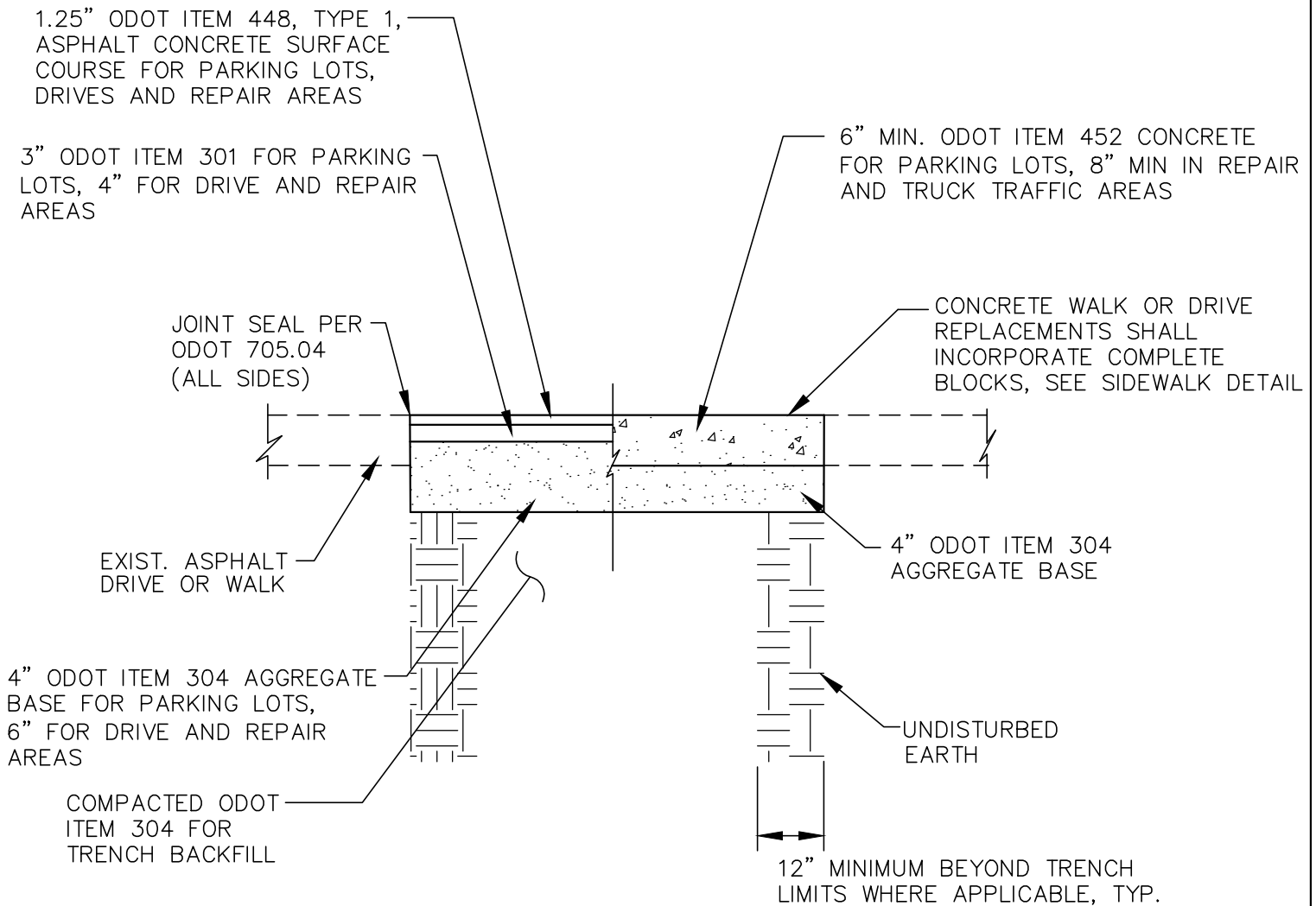
GENERAL PAVEMENT NOTE:

1. WHERE EDGES OF REPLACED SECTION EXTENDS WITHIN 2'-0" OF DRIVEWAY EDGE, PAVEMENT IS TO BE REPLACED TO DRIVEWAY EDGE.
2. THICKNESSES SHOWN ARE MINIMUM. CONTRACTOR TO MATCH EXISTING PAVEMENT.
3. ALL AGGREGATES SHALL BE CRUSHED, VIRGIN LIMESTONE.
4. CONCRETE TO HAVE 4,500 PSI, 28 DAY COMPRESSIVE STRENGTH; DO NOT ADD EXCESS WATER.

RESIDENTIAL ASPHALT OR CONCRETE DRIVEWAY REPAIR

N.T.S

VILLAGE OF MOGADORE
STANDARD DRAWING ROAD 4
REVISION: 11/17/17

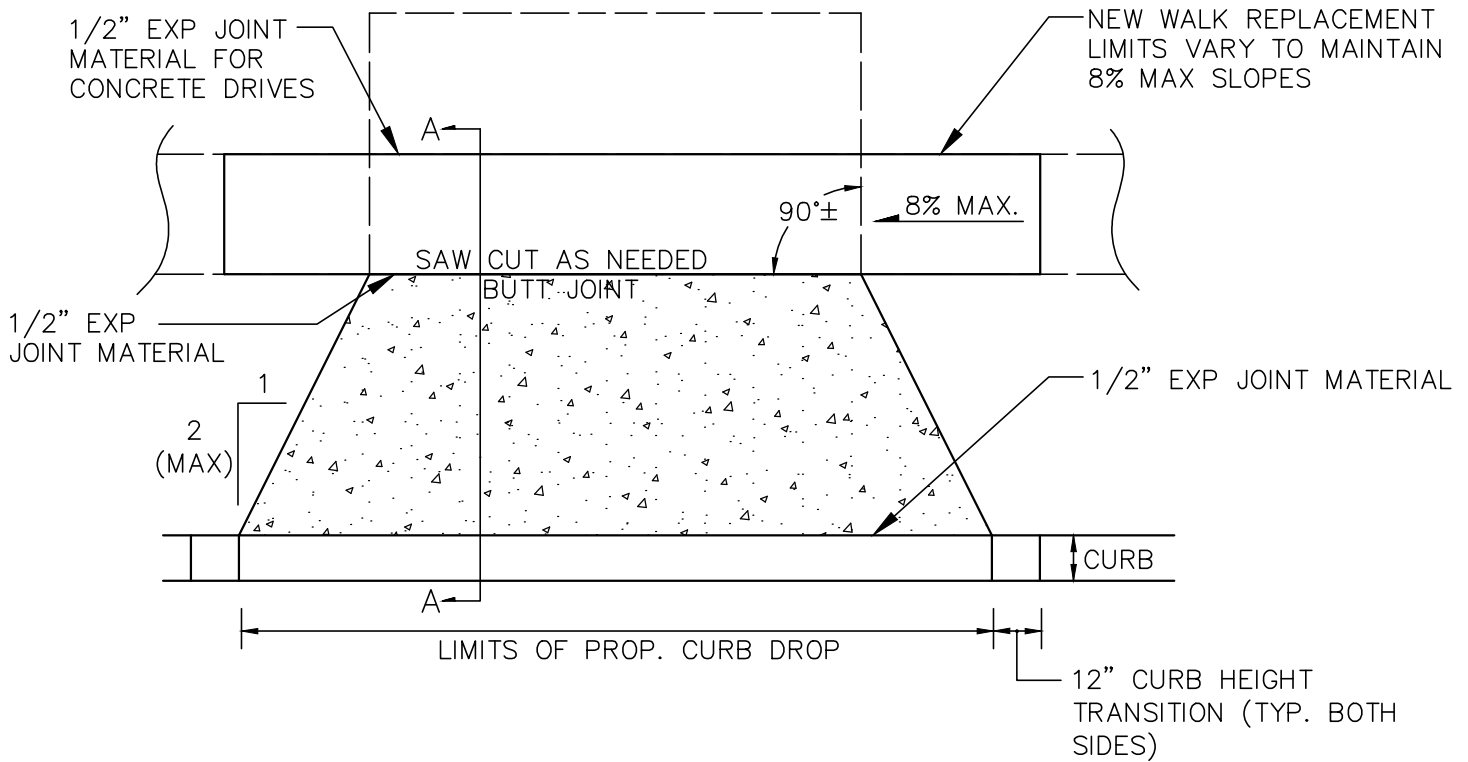


GENERAL PAVEMENT NOTE:

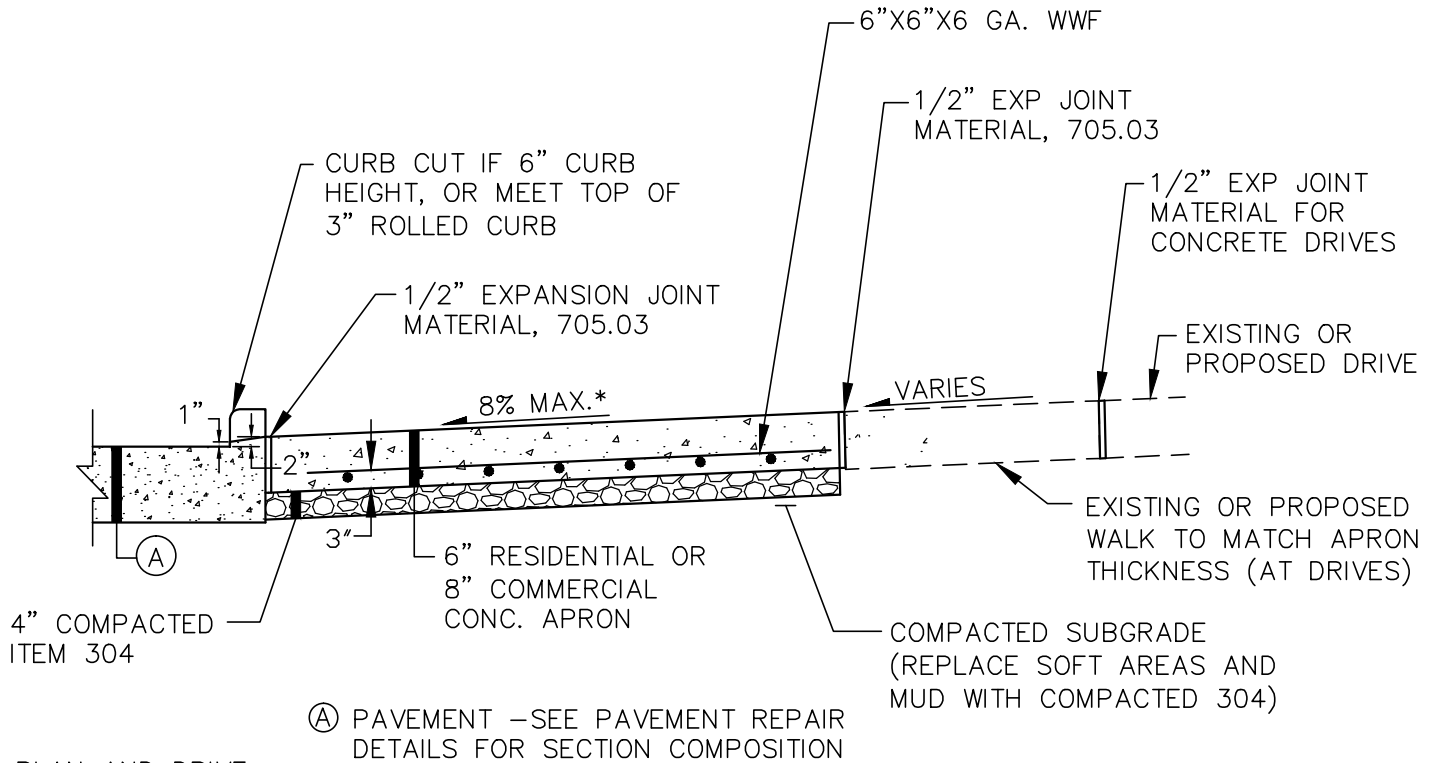
1. THICKNESSES SHOWN ARE MINIMUM. CONTRACTOR TO MATCH EXISTING PAVEMENT IN REPAIR AREAS.
2. ALL AGGREGATES SHALL BE CRUSHED, VIRGIN LIMESTONE.
3. ALL PAVEMENT INSTALLATION/REPAIR SHALL BE WITNESSED BY THE LOCAL INSPECTOR. A PROOFROLL USING A TRI-AXLE TRUCK LOADED WITH 15 TONS OF STONE WILL BE REQUIRED FOR AREAS LARGER THAN 300 S.F.

COMMERCIAL ASPHALT OR CONCRETE PARKING LOTS
N.T.S

VILLAGE OF MOGADORE
STANDARD DRAWING ROAD 5
REVISION: 11/17/17



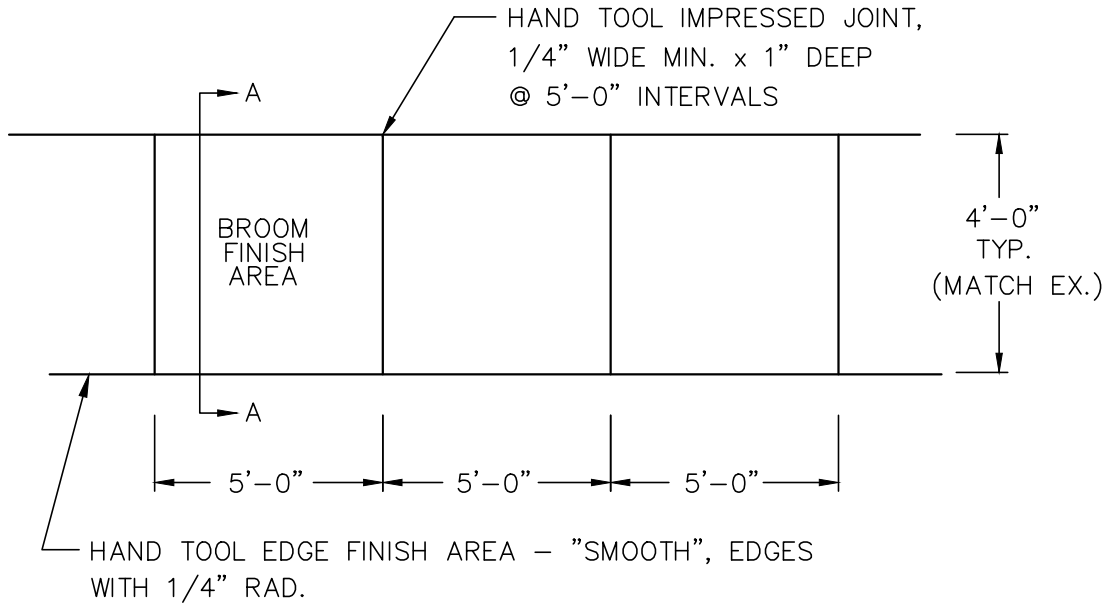
DRIVEWAY APRON
N.T.S.



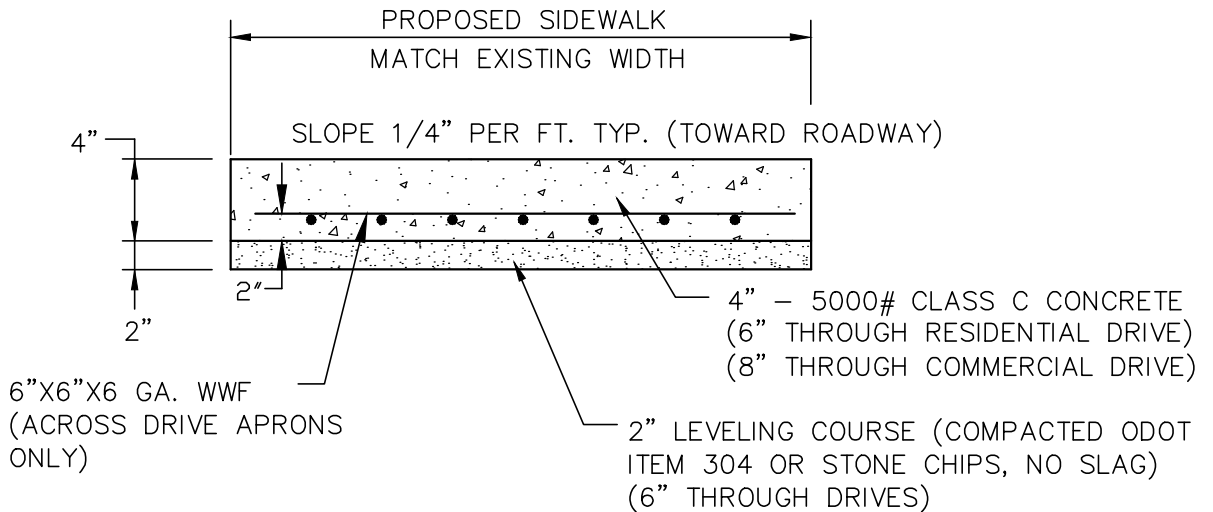
*SITE PLAN AND DRIVE SLOPES TO BE COORDINATED TO MAINTAIN SLOPES LESS THAN 8%

CURB DROP DETAIL, A-A
N.T.S.

VILLAGE OF MOGADORE
STANDARD DRAWING ROAD 6
REVISION: 6/1/16



PLAN VIEW
NOT TO SCALE



A SECTION
A NOT TO SCALE

NOTE: EXPANSION JOINT SHALL BE PLACED AT FIFTY FOOT (50') INTERVALS AND SCORE MARKS SHALL BE AT FIVE FOOT (5') INTERVALS. CONSTRUCTION SHALL BE IN ACCORDANCE WITH O.D.O.T. ITEM 608. EXPANSION MATERIAL SHALL BE 1/4" THICK (MIN) AND CONFIRM TO ODOT 705.03.

CONCRETE SIDEWALK
N.T.S

VILLAGE OF MOGADORE
STANDARD DRAWING ROAD 7
REVISION: 6/1/16